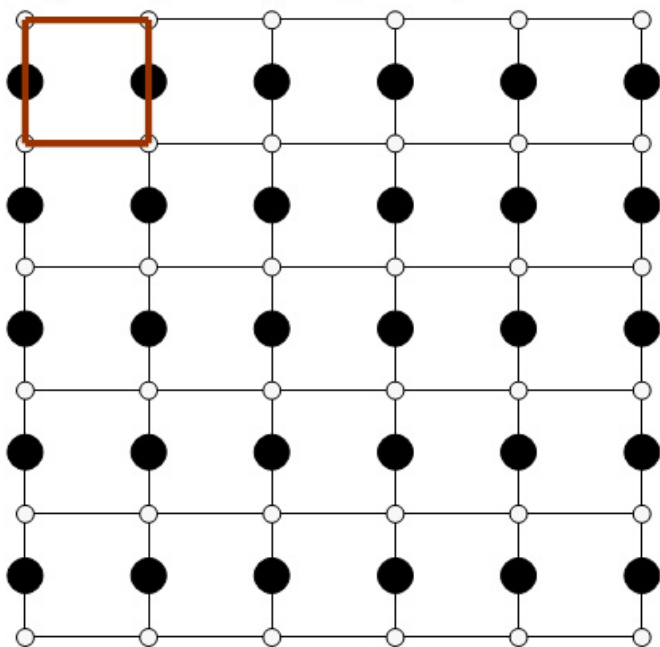
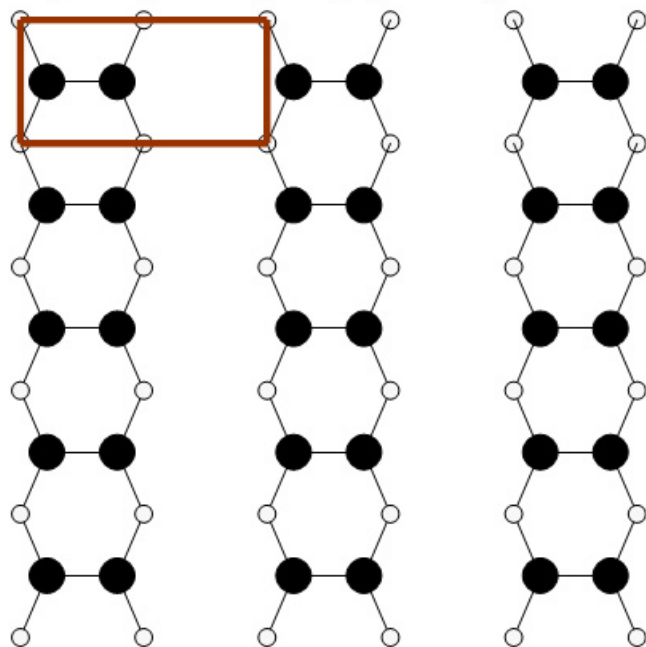


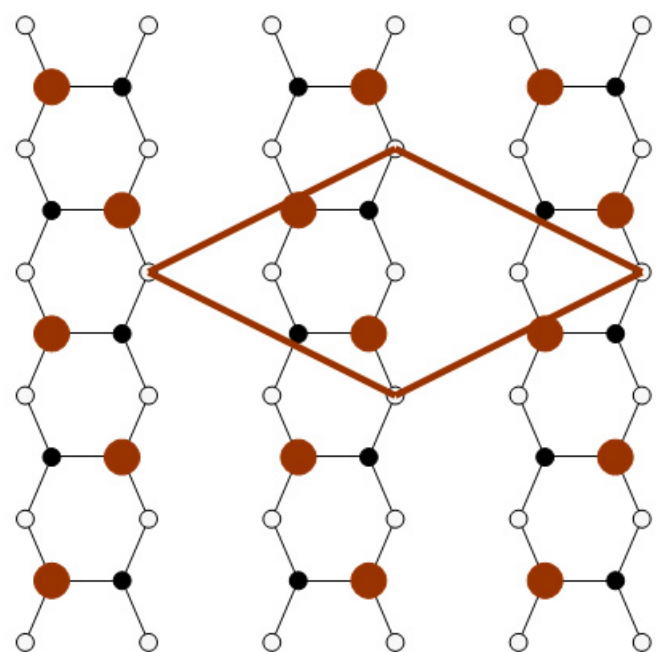
a) Si(100) - (1x1)



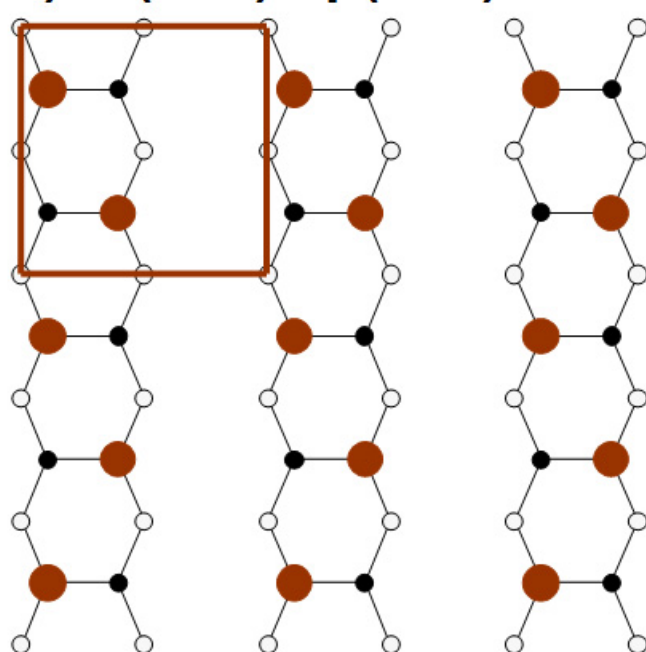
b) Si(100) - p(2x1)



c) Si(100) - c(4x2)



d) Si(100) - p(2x2)



○ Second layer atom
● First layer atom

● Dimer atom - buckled up
● Dimer atom - buckled down

□ Primitive unit cell

ERRATA - the primitive unit cell size was corrected in (d)

Martin Setvin